

GENERAL MECHANICAL FEATURES

Tracking type	Horizontal single axis tracker
Typical tracker size	Up to 260m length
Ground cover ratio (GCR)	Configurable: typical 30-50%
Wind protection	Zero degree stow position
Corrosion protection	Galvanized steel C3 as standard C4 or C5 on request
Foundation	Sigma
Tracking range	55° as standard Up to 60° upon request
Ground Clearance	300 mm as standard Up to 500 mm on request
Inclination	Up to 36%
Cleaning	Verified by IDEEMATEC

POWER AND CONTROL SYSTEM

Software	Aurora™ by IDEEMATEC
Solar Tracking Method	Astronomical Algorithm 3D adaptive back-tracking
Communication	Full wired redundant data transfer & control flow through power cables, eliminating need for additional cables Reduces the need for trenches, providing cost benefit Wireless communication for self-powered solution
Control	One cluster control unit per 24 MW (250 trackers) – includes weather station, redundancy computer, SCADA ready One motor per tracker control unit
Power	AC power and self-powered solutions UPS available on request
Drive type	High accuracy slew gear – disconnected
Motor type	AC CE 400 V 50 Hz UL 480 V 60 Hz DC 24 V
Operating temperature	-20° C up to +55° C
Warranty	15-years System Warranty

GERMANY / Headquarters
germany@ideematec.com

USA
usa@ideematec.com

COLOMBIA
colombia@ideematec.com

SPAIN
spain@ideematec.com

AUSTRALIA
australia@ideematec.com

BRAZIL
brazil@ideematec.com

FRANCE
france@ideematec.com

CHINA
china@ideematec.com

CHILE
chile@ideematec.com

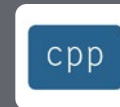
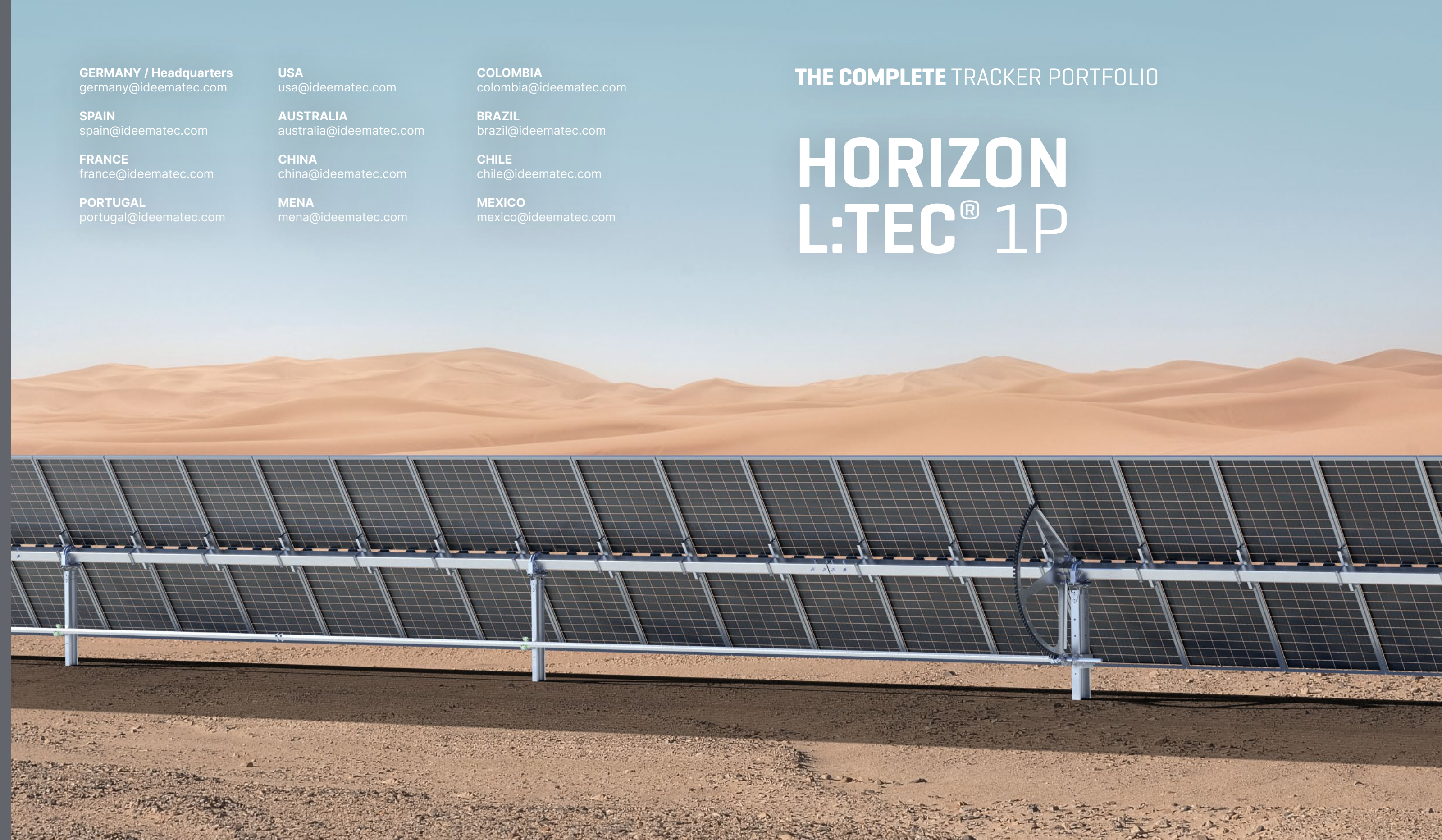
PORTUGAL
portugal@ideematec.com

MENA
mena@ideematec.com

MEXICO
mexico@ideematec.com

THE COMPLETE TRACKER PORTFOLIO

HORIZON L:TEC® 1P



www.ideematec.com



Most advanced one-in-portrait tracker solution

The Horizon L:TEC® 1P tracker pairs our signature decoupled drive technology with the new innovative locking system for maximum stability. Designed especially for large modules.

The Horizon L:TEC® is now available in both a one-in-portrait and a two-in-portrait option.

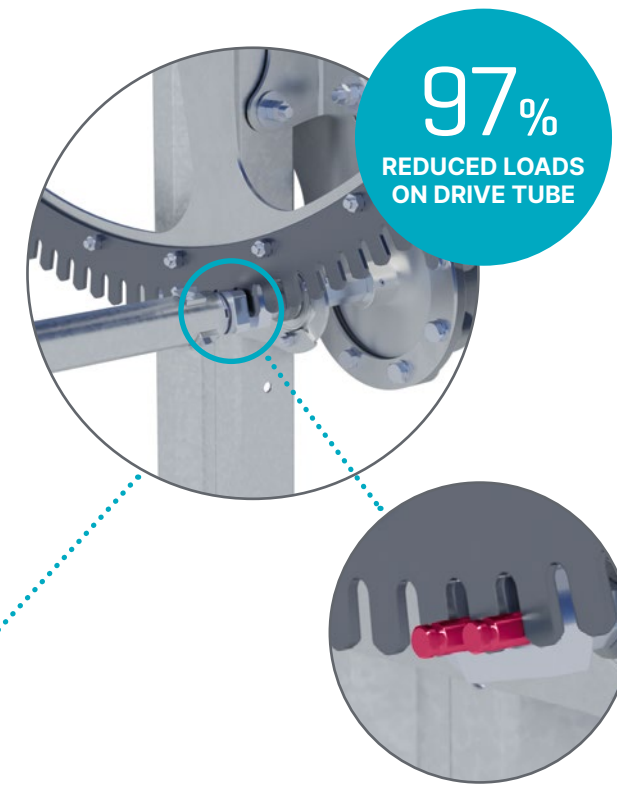


UP TO **240** MODULES PER TRACKER

PATENTED LOCKING AND DECOUPLED DRIVE TECHNOLOGY

The decoupled drive technology is significantly more efficient than all traditional drives. The smart drive technology transfers the table loads directly into the foundations and ensures that forces on the drive are kept to an absolute minimum.

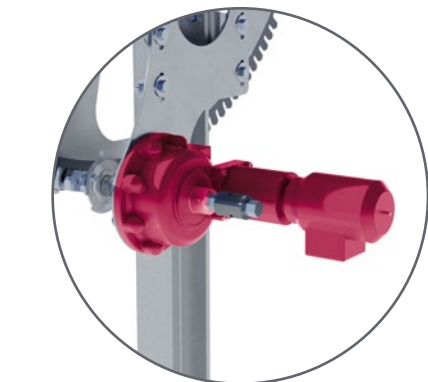
This is why we can build the longest and most flexible trackers on the market.



97% REDUCED LOADS ON DRIVE TUBE

POWERED BY JUST 1 DRIVE UNIT

- 3 times less drive units
- Higher availability
- Lower maintenance costs



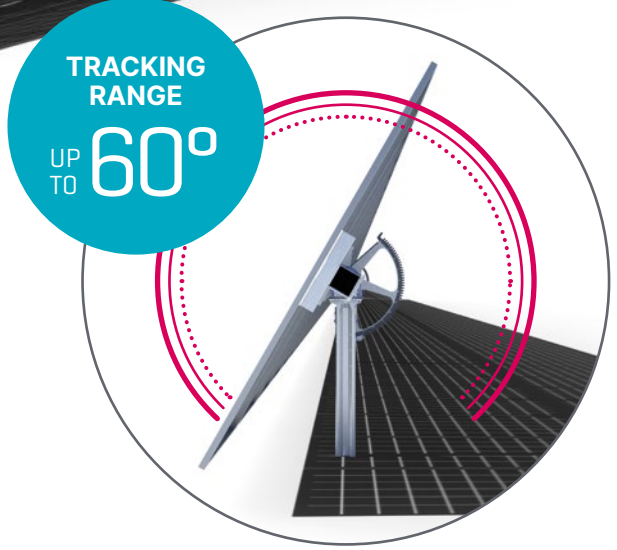
BEST LIFETIME VALUE AND OPTIMIZED LCOE

- Highest additional gains
- Optimizes overall yields
- Improves system lifetime

UP TO **8** STRINGS PER TRACKER

UP TO **260 M** TRACKER UNIT

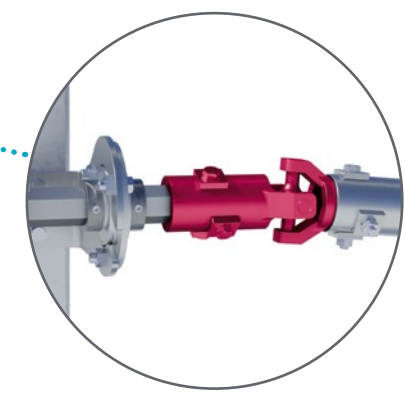
UP TO **8 M** PILE DISTANCE



TRACKING RANGE UP TO **60°**

MAXIMUM DESIGN FLEXIBILITY UNLIKE ANY OTHER TRACKER

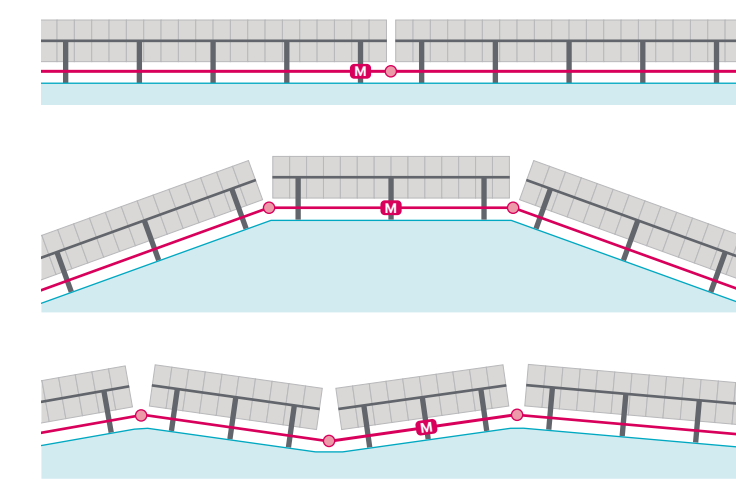
- Suits all modules types: 72 Cells, 78 Cells, bifacial
- BOS optimized layout
- Modular tracker configuration



PATENTED CARDAN JOINTS ADAPT TO ANY TERRAIN

- Each table can be installed at an angle of up to 36° from the previous table
- No need for complex grading works

- A** ADAPTIVE CARDAN JOINTS
 - Reduce need for grading works
 - Saving costs & time
- M** ONLY 1 DRIVE UNIT / MOTOR
 - Same operating costs on any terrain



12 MOTORS & CONTROLLERS PER MW

0° STOW POSITION FOR 360° WIND PROTECTION

- Unique protection against extreme weather conditions
- 50% less stress with 0° stow
- Withstands winds of up to 180 km/h
- Higher energy during stowing
- Time-to-stow max. 6 minutes

